

Stud-mounted fuses one-time



Catalog symbol: ALS-

Description:

Busmann® series stud-mounted, one-time fuse.

Specifications:

Ratings

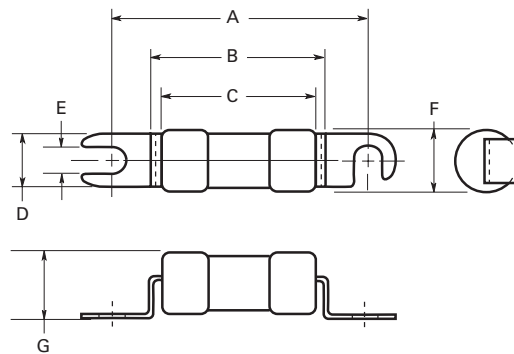
- Volts - 125 Vdc (or less)
 - 80 Vdc - (300A)
 - 48 Vdc - (200-250 A), (350-500 A)
- Amps - 200-600 A
- Interrupting rating
 - 5 kA - (200-500 A)

Agency information

- UL® Recognized, Guide JFHR2, File E56412

Catalog numbers (amps)			
ALS-200	ALS-250B	ALS-350B	ALS-500B
ALS-200B	ALS-300	ALS-400	ALS-550
ALS-225	ALS-300A	ALS-400B	ALS-600
ALS-225B	ALS-300B	ALS-450	
ALS-250	ALS-350	ALS-500	

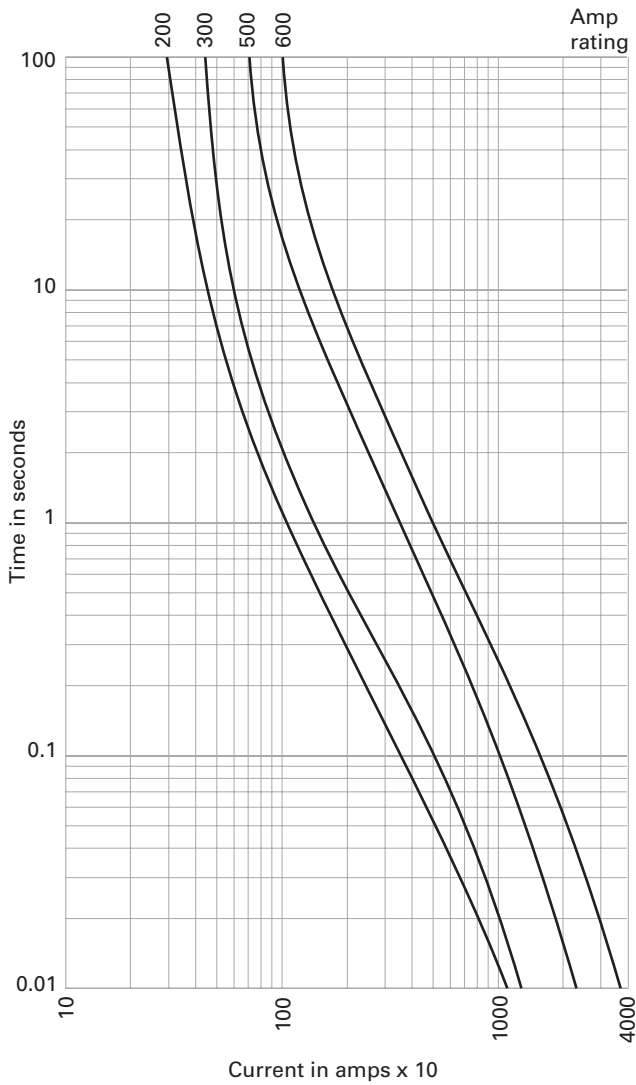
Dimensions:



Dimensions - in:

System voltage	A	B	C	D	E	F	G
ALS 200-500	3.75	2.7	2.25	0.75	0.375	1.06	1.13
	95.3	68.6	57.2	19.1	9.53	26.85	28.6
ALS 550-600	4.25	2.38	2.38	1.25	0.531	1.59	1.81
	107.95	60.5	60.5	31.75	13.5	40.4	46.1

Time-current curves—average melt



The only controlled copy of this data sheet is the electronic read-only version located on the Eaton network drive. All other copies of this document are by definition uncontrolled. This bulletin is intended to clearly present comprehensive product data and provide technical information that will help the end user with design applications. Eaton reserves the right, without notice, to change design or construction of any products and to discontinue or limit distribution of any products. Eaton also reserves the right to change or update, without notice, any technical information contained in this bulletin. Once a product has been selected, it should be tested by the user in all possible applications.

Eaton
1000 Eaton Boulevard
Cleveland, OH 44122
United States
Eaton.com

Bussmann Division
114 Old State Road
Ellisville, MO 63021
United States
Eaton.com/bussmannseries

© 2020 Eaton
All Rights Reserved
Printed in USA
Publication No. 1037 – SB04068
November 2020

For Eaton's Bussmann series
product information,
call **1-855-287-7626** or visit:
Eaton.com/bussmannseries

Eaton, Bussmann and Low-Peak are valuable trademarks of Eaton in the US and other countries. You are not permitted to use the Eaton trademarks without prior written consent of Eaton.

UL is a registered trademark of the Underwriters Laboratories, Inc.

Follow us on social media to get the latest product and support information.

